



# PRICING GUIDE

---

## MACHINES AND PARTS

---

Prices Effective Feb 1, 2020



# UniLyft MACHINES

- All prices on UniLyfts are in USD and are FOB any Unilock manufacturing location in USA or Canada.
- Delivery time: 1 to 3 weeks for inventoried machines (8 to 12 weeks if shipped from Sweden subject to availability).
- Unilock reserves the right to change pricing and/or specifications without notice.



## MODEL L NARROW TRACK

### PRODUCT SPECIFICATION

Part Number	841100P
Track Chassis	HINOWA HP1100 or HP1150
Engine	Honda GX390 Gasoline
Max Lift Capacity	140kg (310 lbs)
Gross Weight	From 700kg (1540 lbs)
Max Speed	3.5kph (2.2mph)
Dimensions	L = 2600mm (102.4") W = 1000mm (39.4") H (max) = 2640mm (104") H (min) = 2100mm (83") (Folded crane arm)

**\$34,900** USD



## MODEL PM

### WIDE TRACK

PRODUCT SPECIFICATION	
Part Number	841400P
Track Chassis	HINOVA TP2000
Engine	Honda 440 Gasoline
Max Lift Capacity	140kg (310 lbs)
Max Load - Forklift	1600kg (3527 lbs)
Gross Weight	1150kg (2535 lbs)
Max Speed	2.2kph (1.5mph)
Dimensions	L = 2250mm (88.6") W = 1840mm (72.4") H (max) = 2640mm (104") H (min) = 2130mm (84") (Folded crane arm)

**\$43,900** USD

## MODEL P

### SKID STEER ATTACHMENT

PRODUCT SPECIFICATION	
Part Number	841300UH
Track Chassis	Skid Steer Not Included Forks are included
Engine	Honda GX 270 Gasoline or PTO
Max Lift Capacity	140kg (310 lbs)
Gross Weight	380kg (660lbs)-430kg (948lbs)
Dimensions	L = 3365mm (133") W = 1210mm (28") H (max) = 2640mm (117") H (min) = 2100mm (83") (Folded)

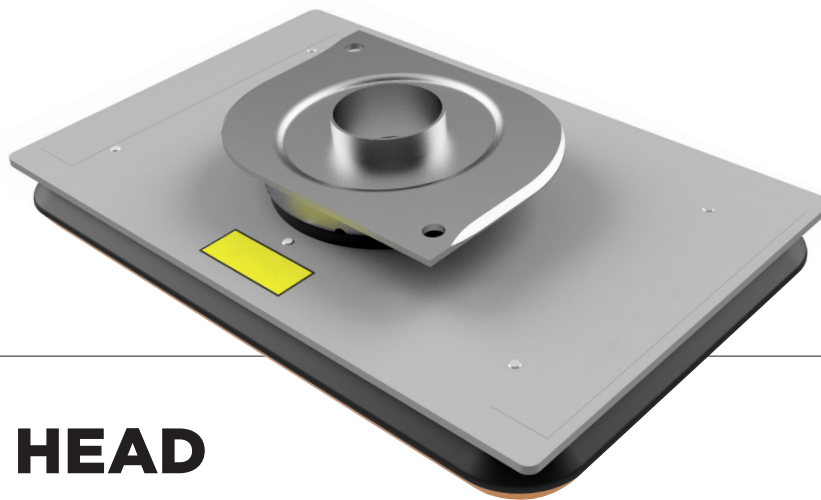
**\$24,900** USD

*Loader skid steer not included.*



# Suction HEADS

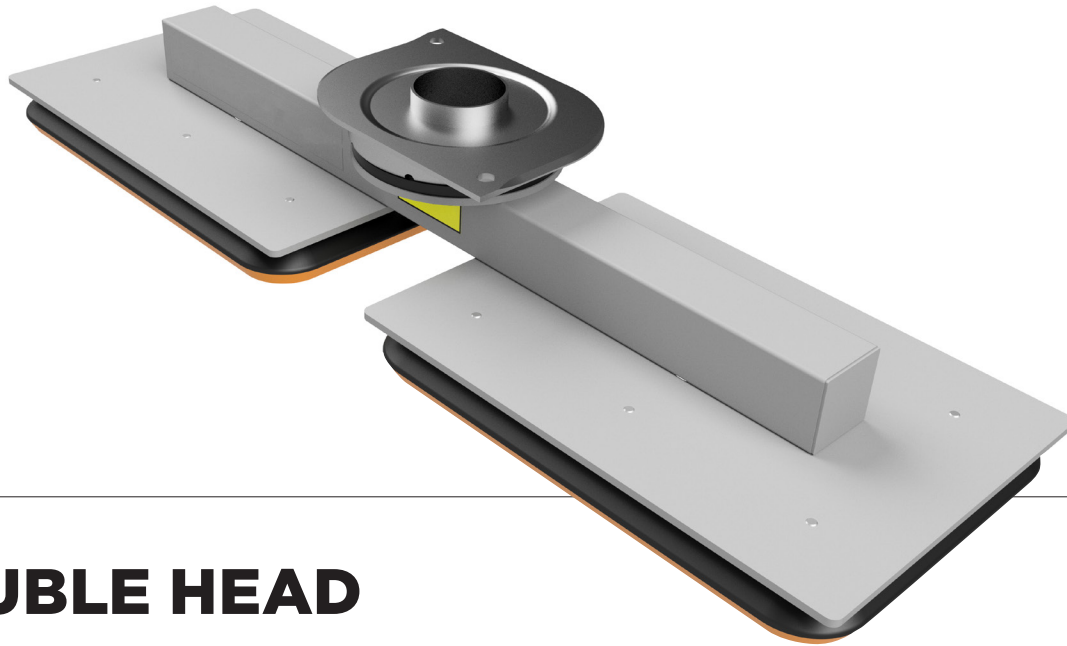
- All prices on heads are in USD and are FOB Sweden (unless ordered with a UniLyft)
- Typically 1 - 3 week delivery on heads depending on inventory.
- Customized heads for Unilock products available.
- Unilock reserves the right to change pricing and/or specifications without notice.



## SINGLE HEAD

PRODUCT SPECIFICATION		
PRODUCT NAME	PART NUMBER	PRICE USD
Complete Suction Head	841706	\$499
Black Gasket & Sponge Assembled	860039	\$119
Black Gasket (210mm x 330mm)	860039-01	\$69
Orange Sponge (210mm x 330mm)	860039-02	\$34

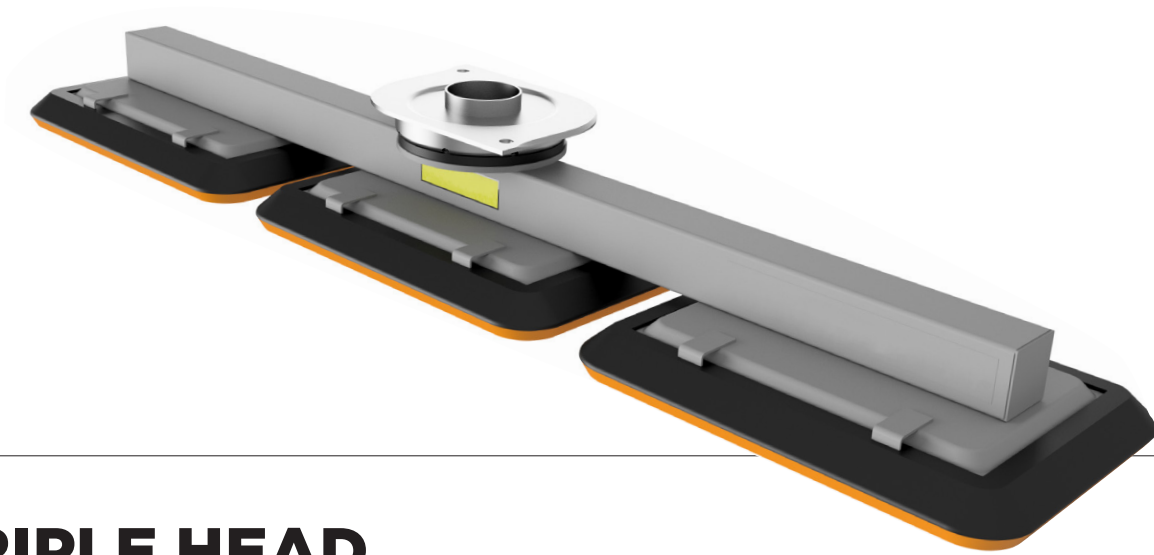
UNIT CAPABILITIES
12" x 24" 14" x 19" 18" x 24" 24" x 24" <i>(Any single unit up to 150lbs.)</i>



# DOUBLE HEAD

PRODUCT SPECIFICATION		
PRODUCT NAME	PART NUMBER	PRICE USD
Standard Double Head	841711	\$699
Adjustable Double Head	841759	\$829
Black Gasket & Sponge Assembled	860037	\$109
Black Gasket (200mm x 290mm)	860037-01	\$59
Orange Sponge (200mm x 290mm)	860037-02	\$29

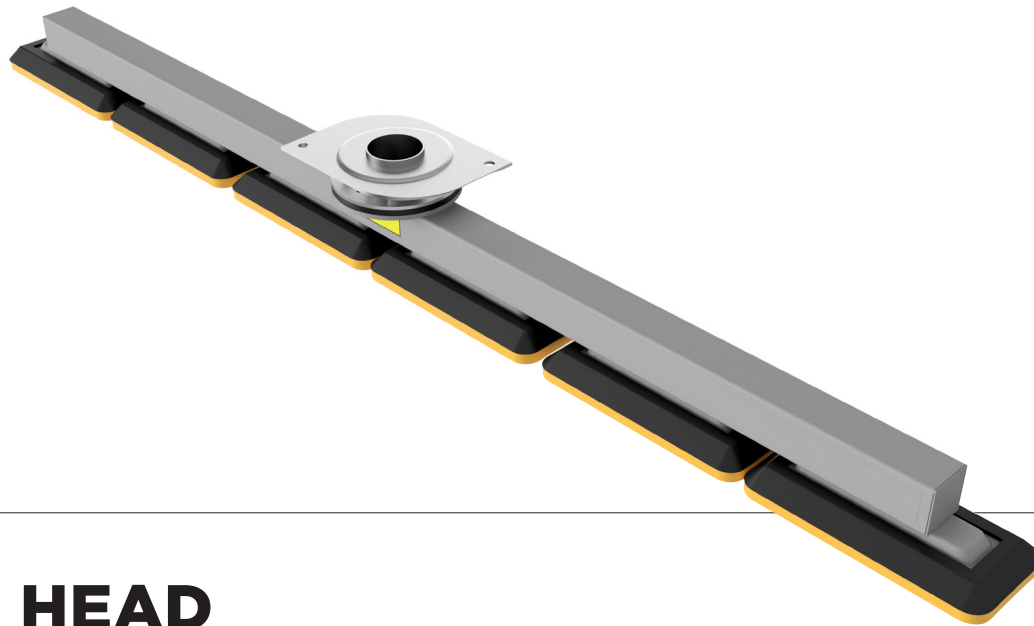
UNIT CAPABILITIES											
CONFIG 1	<table border="1"> <tr> <td>8" x 16"</td> <td>8" x 16"</td> </tr> <tr> <td>16" x 16"</td> <td>16" x 16"</td> </tr> <tr> <td>8" x 24"</td> <td>8" x 24"</td> </tr> <tr> <td>12" x 21"</td> <td>12" x 21"</td> </tr> <tr> <td>12" x 24"</td> <td>12" x 24"</td> </tr> </table>	8" x 16"	8" x 16"	16" x 16"	16" x 16"	8" x 24"	8" x 24"	12" x 21"	12" x 21"	12" x 24"	12" x 24"
8" x 16"	8" x 16"										
16" x 16"	16" x 16"										
8" x 24"	8" x 24"										
12" x 21"	12" x 21"										
12" x 24"	12" x 24"										
CONFIG 2	<table border="1"> <tr> <td>24" x 24"</td> </tr> </table>	24" x 24"									
24" x 24"											
CONFIG 3	<table border="1"> <tr> <td>12" x 48"</td> </tr> <tr> <td>16" x 48"</td> </tr> <tr> <td>16" x 72"</td> </tr> <tr> <td>24" x 24"</td> </tr> <tr> <td>24" x 36"</td> </tr> </table>	12" x 48"	16" x 48"	16" x 72"	24" x 24"	24" x 36"					
12" x 48"											
16" x 48"											
16" x 72"											
24" x 24"											
24" x 36"											



# TRIPLE HEAD

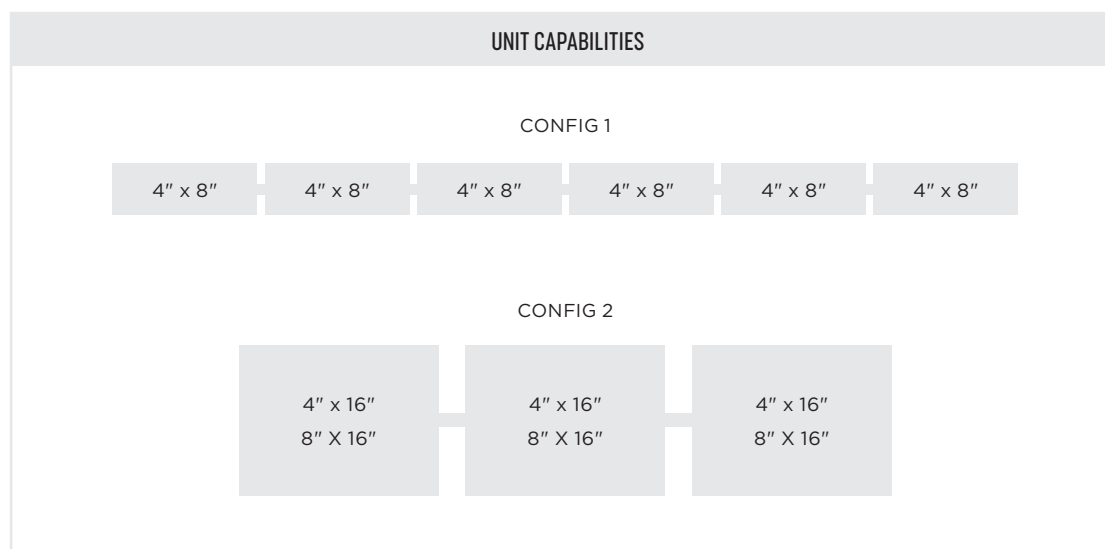
PRODUCT SPECIFICATION		
PRODUCT NAME	PART NUMBER	PRICE USD
Complete Suction Head	841750-073	\$749
Black Gasket & Sponge Assembled	860037	\$109
Black Gasket (200mm x 290mm)	860037-01	\$59
Orange Sponge (200mm x 290mm)	860037-02	\$29

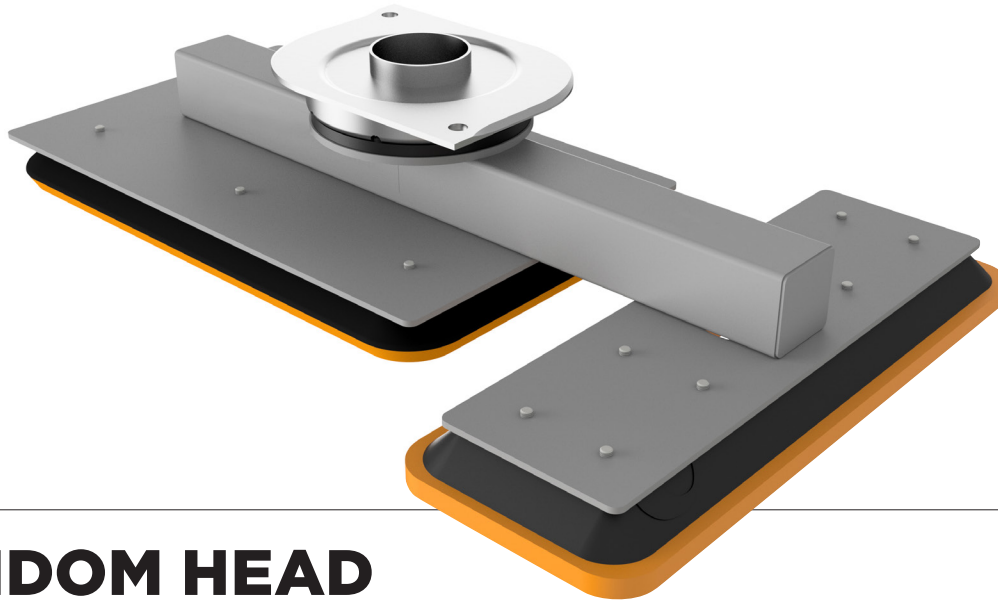
UNIT CAPABILITIES		
6" x 12"	6" x 12"	6" x 12"
8" x 12"	8" x 12"	8" x 12"
12" x 12"	12" x 12"	12" x 12"



## 6/3 HEAD

PRODUCT SPECIFICATION		
PRODUCT NAME	PART NUMBER	PRICE USD
Complete Suction Head	841763	\$849
Black Gasket & Sponge Assembled	860038	\$99
Black Gasket (90mm x 200mm)	860038-01	\$59
Orange Sponge (80mm x 200mm)	860038-02	\$19





# RANDOM HEAD

## BEACON HILL PLATFORM

PRODUCT SPECIFICATION		
PRODUCT NAME	PART NUMBER	PRICE USD
Complete Suction Head	841750-071	\$829
Black Gasket & Sponge Assembled	860039	\$119
Black Gasket (210mm x 330mm)	860039-01	\$69
Orange Sponge (210mm x 330mm)	860039-02	\$34
Black Gasket & Sponge Assembled	860048	\$107
Black Gasket (120mm x 315mm)	860048-01	\$59
Orange Sponge (120mm x 315mm)	860048-02	\$29

**UNIT CAPABILITIES**

CONFIG 1

OR

CONFIG 2

**NOTE:** This head will work with all of our products with a Random Bundle configuration. Products such as: Beacon Hill, Series 3000, Umbriano, Bristol Valley and Windermere.

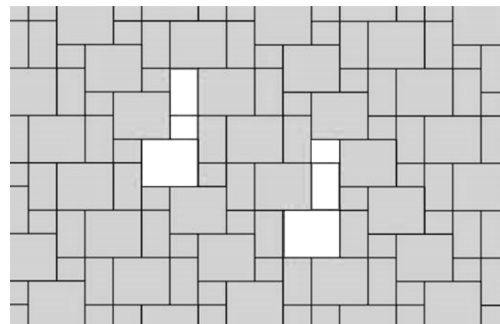




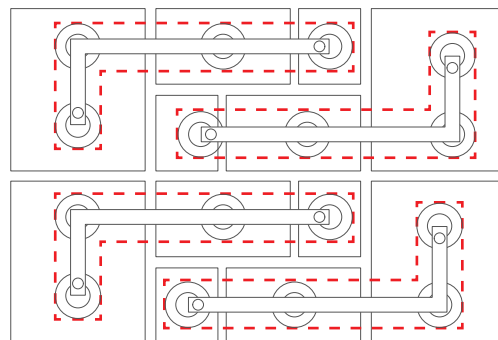
# THORNBURY HEAD

PRODUCT SPECIFICATION		
PRODUCT NAME	PART NUMBER	PRICE USD
Complete Suction Head	841750-075	\$829
Black Gasket & Sponge Assembled	860037	\$109
Black Gasket (200mm x 290mm)	860037-01	\$59
Orange Sponge (200mm x 290mm)	860037-02	\$29
Black Gasket & Sponge Assembled	860027	\$94
Black Gasket (150mm x 210mm)	860027-01	\$59
Orange Sponge (150mm x 210mm)	860027-02	\$22

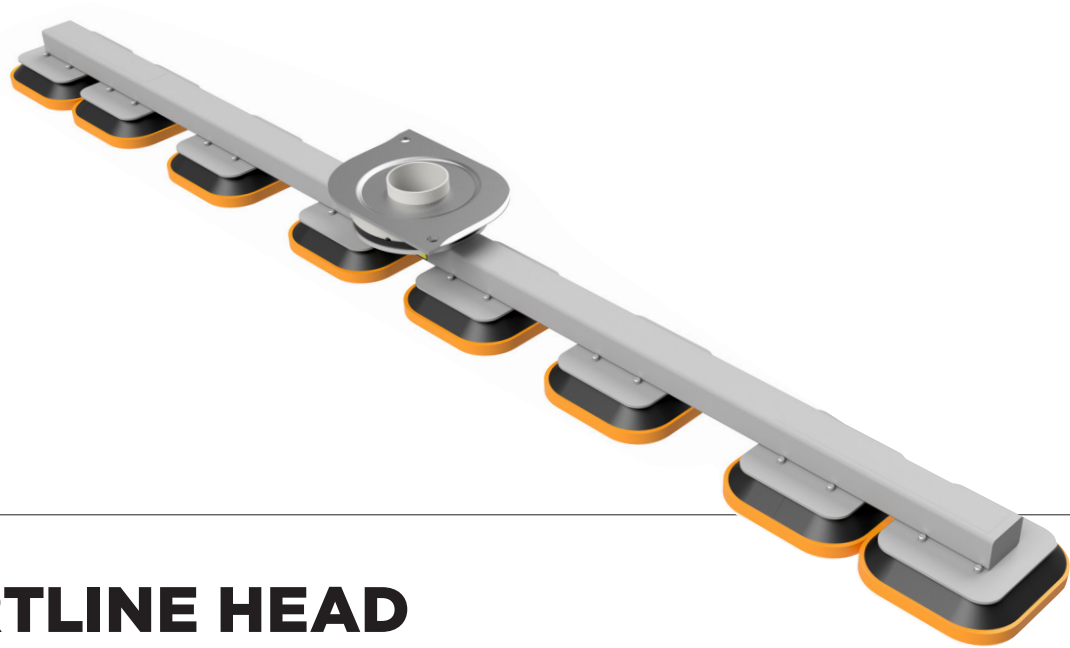
## LAYING PATTERN



## BUNDLE LAYOUT

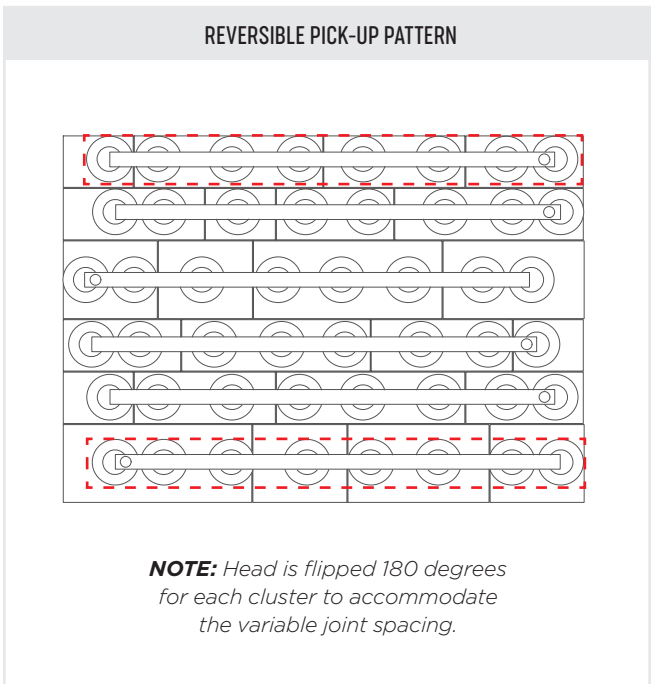


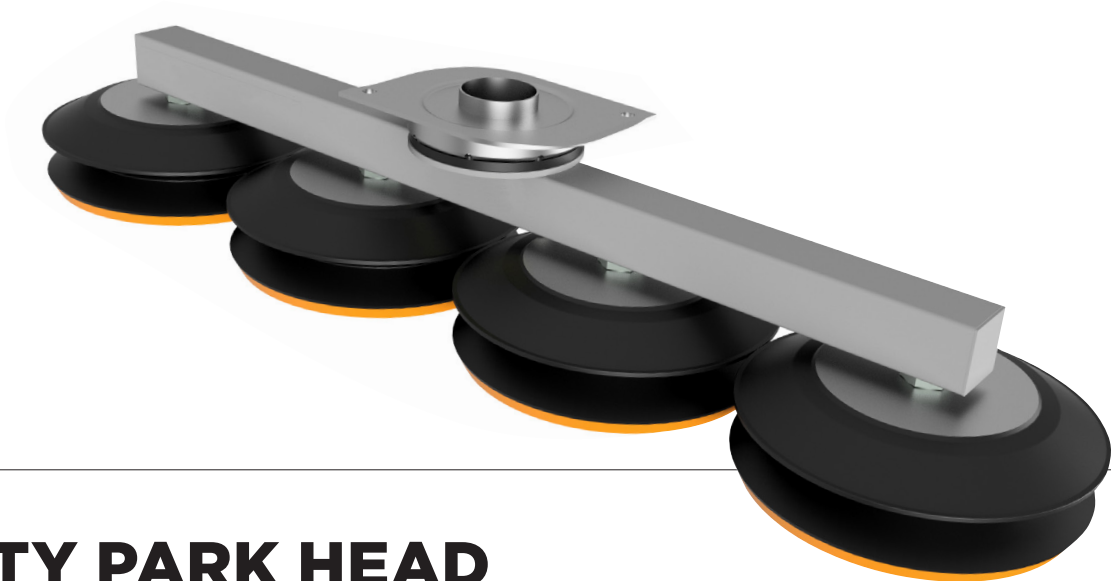
**NOTE:** This head only works with this bundle configuration.



# ARTLINE HEAD

PRODUCT SPECIFICATION		
PRODUCT NAME	PART NUMBER	PRICE USD
Complete Suction Head	841761	\$1,199
Black Gasket & Sponge Assembled	860070	\$74
Black Gasket (85mm x 85mm)	860070-01	\$44
Orange Sponge (85mm x 85mm)	860070-02	\$19



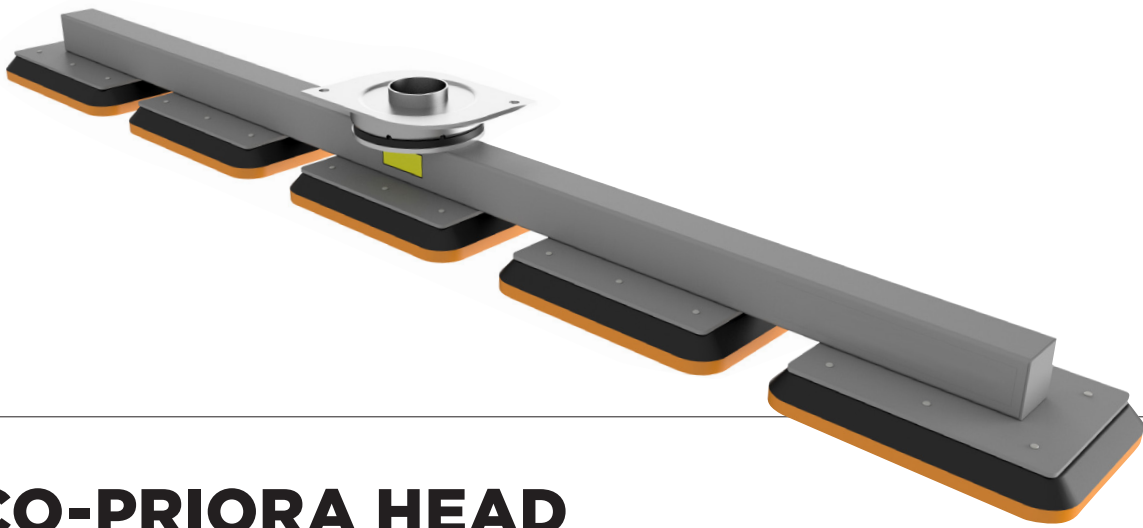


# CITY PARK HEAD

PRODUCT SPECIFICATION		
PRODUCT NAME	PART NUMBER	PRICE USD
Complete Suction Head	841750-074	\$999
Black Gasket & Sponge Assembled	860050	\$199
Black Gasket	860050-01	\$189
Orange Sponge	860050-02	\$29

**PICK-UP PATTERN**

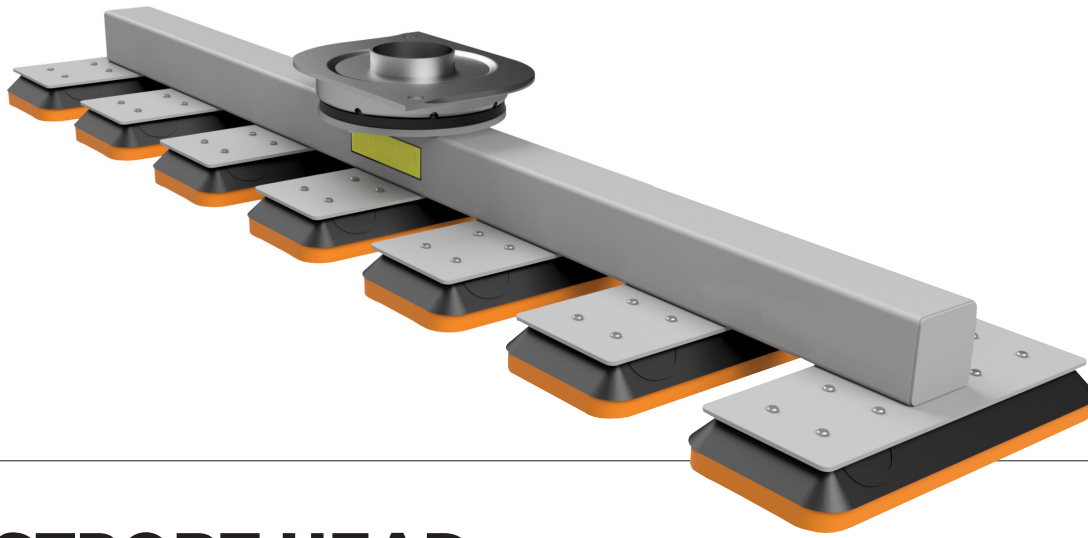
**NOTE:** Head picks up 4 in a row, which is ideal for 10 cm thick pavers. A double head can be ordered for 6 cm product.



# ECO-PRIORA HEAD

PRODUCT SPECIFICATION		
PRODUCT NAME	PART NUMBER	PRICE USD
Complete Suction Head	841764	\$929
Black Gasket & Sponge Assembled	860027	\$99
Black Gasket	860027-01	\$59
Orange Sponge	860027-02	\$29

UNIT CAPABILITIES				
10" x 10"	10" x 10"	10" x 10"	10" x 10"	10" x 10"

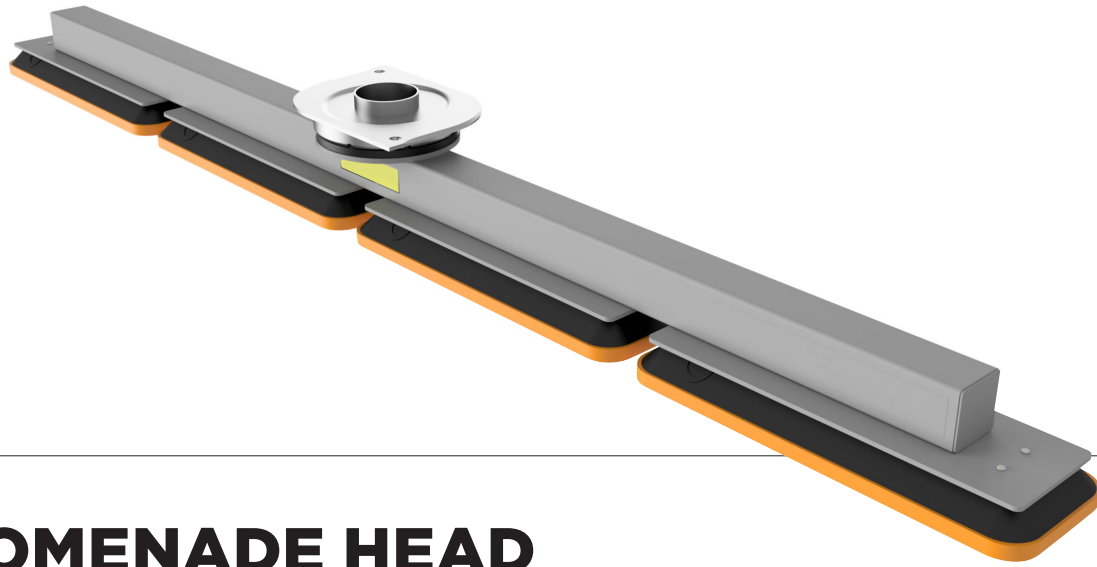


# WESTPORT HEAD

PRODUCT SPECIFICATION		
PRODUCT NAME	PART NUMBER	PRICE USD
Complete Suction Head	841750-081	\$899
Black Gasket & Sponge Assembled	860038	\$99
Black Gasket	860038-01	\$59
Orange Sponge	860038-02	\$22

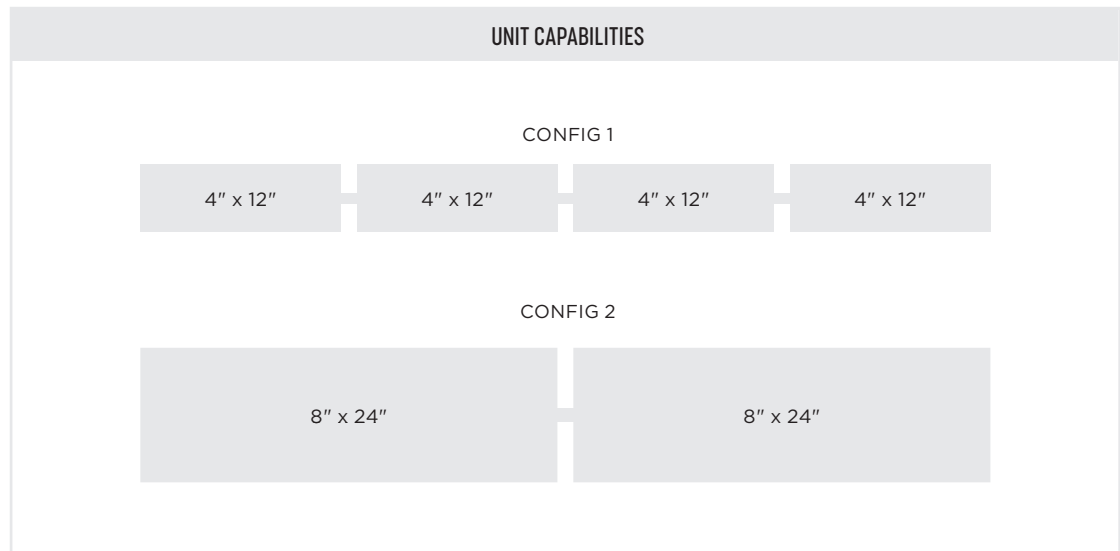
**UNIT CAPABILITIES**

**NOTE:** We recommend that the clusters are installed in a random running bond herringbone pattern or cluster.



# PROMENADE HEAD

PRODUCT SPECIFICATION		
PRODUCT NAME	PART NUMBER	PRICE USD
Suction Head	841750-079	\$1,199
Black Gasket & Sponge Assembled	860086	\$119
Black Gasket	860086-01	\$89
Orange Sponge	860086-02	\$29





---

# PISA2 XL / CONCORD XL GRIPPER

---

PRODUCT SPECIFICATION		
PRODUCT NAME	PART NUMBER	PRICE USD
PISA2 XL / CONCORD XL GRIPPER	841750-082	\$ 899

**NOTE:** Please contact us for pricing information.



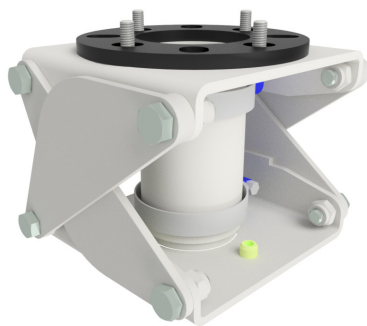
# Parts PRICING

- All prices on parts are in USD and are FOB Chester, NY (unless ordered with a UniLyft)
- Delivery: Approximately 1 week
- Unilock reserves the right to change pricing and/or specifications without notice.



## VACUUM PRE FILTERS

PART NUMBER	DESCRIPTION	UNILOCK MSRP USD
841619	Filter Vaculyft PM, SM1500, P	\$49
842119	Filter Vaculyft SM500	\$29
841833	Filter Vaculyft L, E	\$29



## 90° ANGLE ADAPTER

PART NUMBER	DESCRIPTION	UNILOCK MSRP USD
641009	90° Angle Adapter (for vertically stacked slabs)	\$399





## LIFTING TUBE COMPLETE

PART NUMBER	DESCRIPTION	UNILOCK MSRP USD
640455	Lifting tube unit Ø120 std	\$1,149
640465	Lifting tube unit Ø140 std	\$1,199
640475	Lifting tube unit Ø160 std	\$1,299
640485	Lifting tube unit Ø180 std	\$1,399
640495	Lifting tube unit Ø200 std	\$1,499
640498	Lifting tube unit Ø230 std	\$1,599
640505	Lifting tube unit Ø250 std	\$1,699

## LIFTING TUBE TUBE ONLY

PART NUMBER	DESCRIPTION	UNILOCK MSRP USD
640497	Lifting tube unit Ø230 std	\$799
640580-230	Cover stock Ø230	\$79

## VACUUM HOSE 2" GREY

PART NUMBER	DESCRIPTION	UNILOCK MSRP USD
841063	Vacuum hose 2" Grey (price per meter 139")	\$29
841063	Vacuum hose 2" Grey Full Roll 50m	\$1,149





# CUSTOM HEADS READILY AVAILABLE FOR LIFTING ALMOST **ANYTHING!**

- ✓ Small or Large
- ✓ Smooth or Rough
- ✓ Textured Designs
- ✓ Exposed Aggregate
- ✓ Patterned
- ✓ Natural Stone



## **CONTACT US** FOR MORE INFORMATION

Exclusive UniLyft Distributor

**UniLyft** | **UNILOCK**<sup>®</sup>

UNILOCK.COM | 1-800-UNILOCK